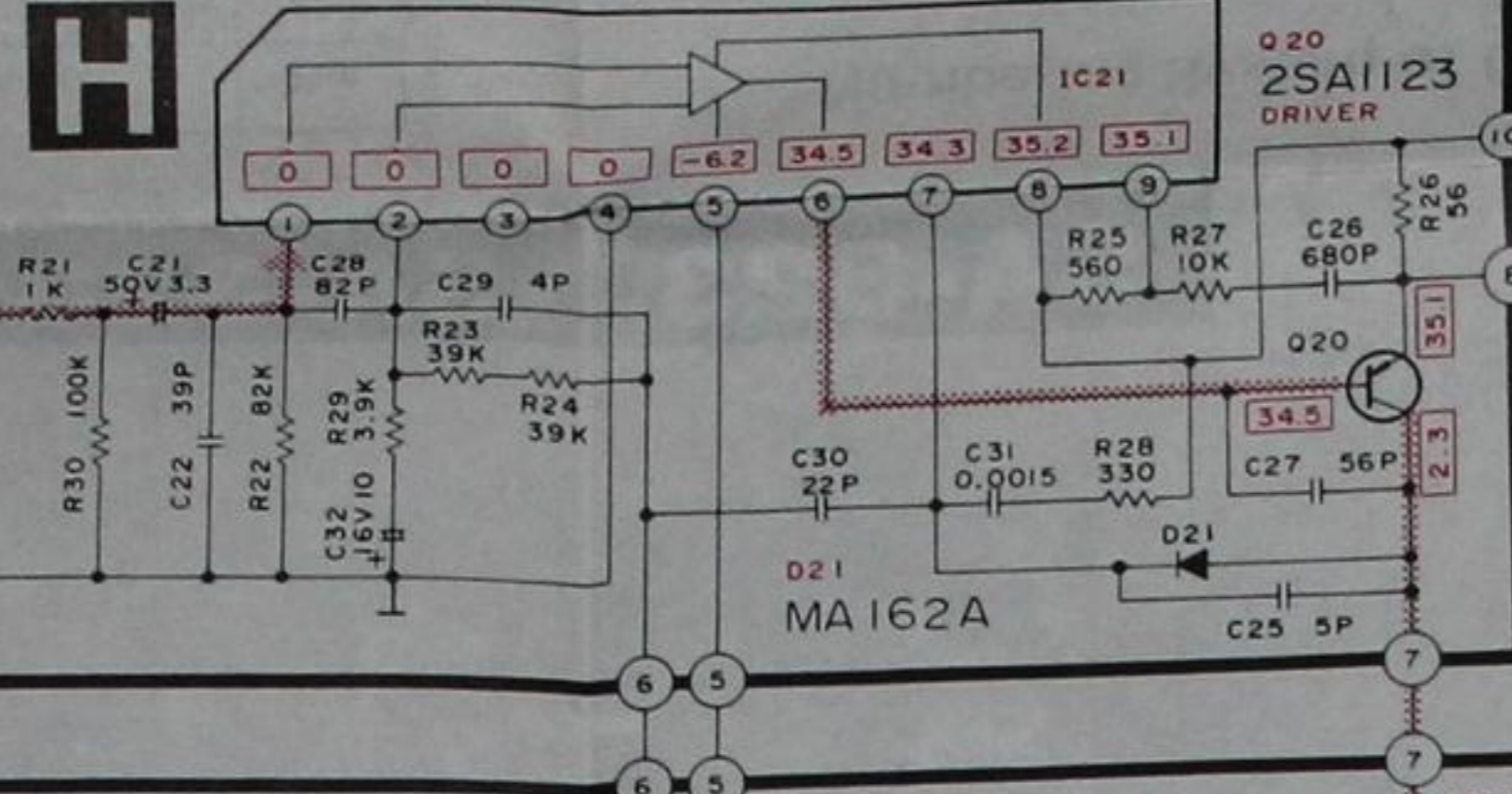


SUP 24490 A

G Main amplifier circuit

H Voltage amplifier circuit

IC21
AN7060F
VOLTAGE AMP



Bass control (Lch)

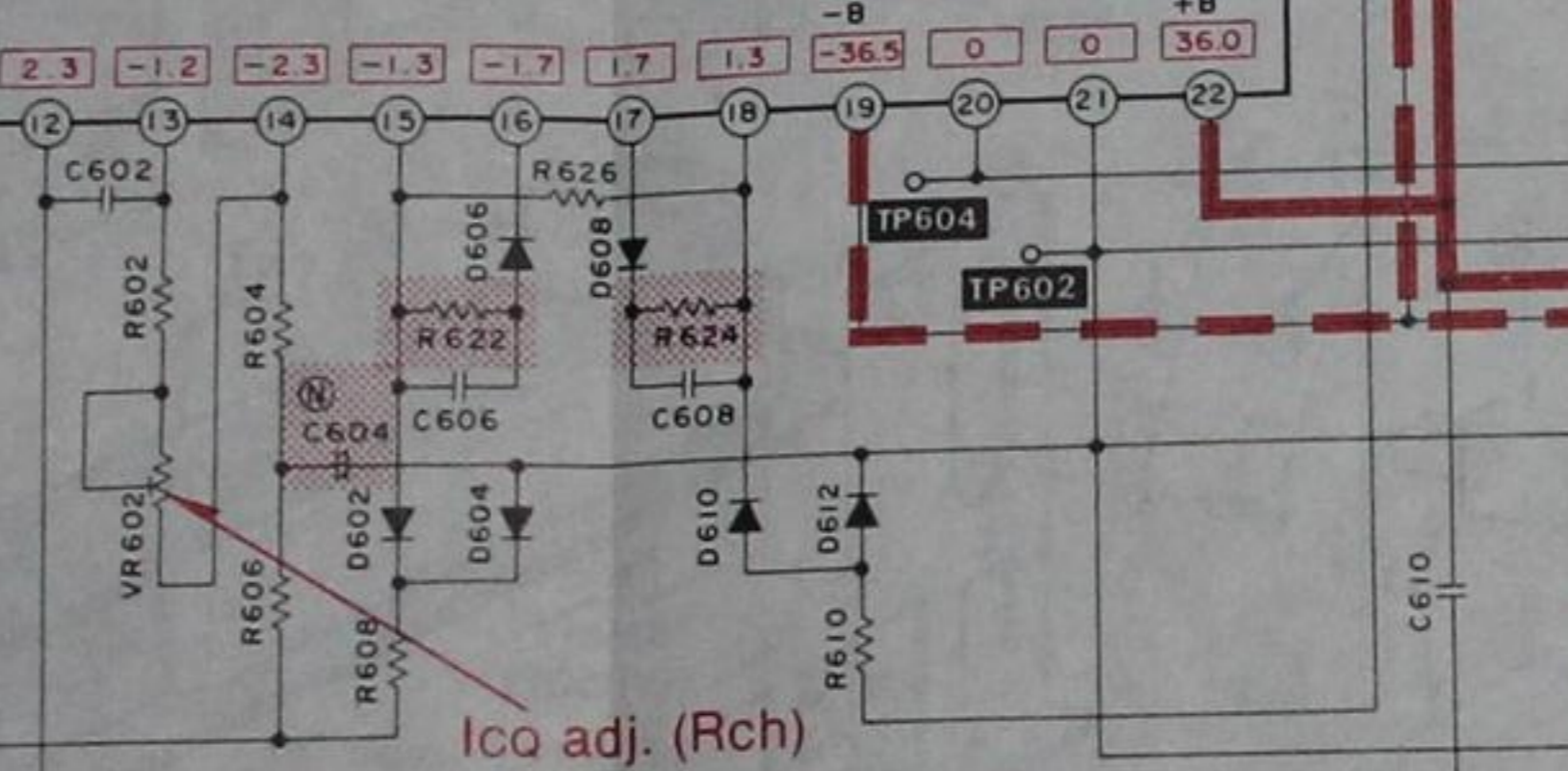
Treble control (Lch)

Ico adj. (Lch)

IC501
SVINJ4559DSM
TONE AMP.

IC501

IC 601 SV18TK2038-2 2CH. POWER AMP.



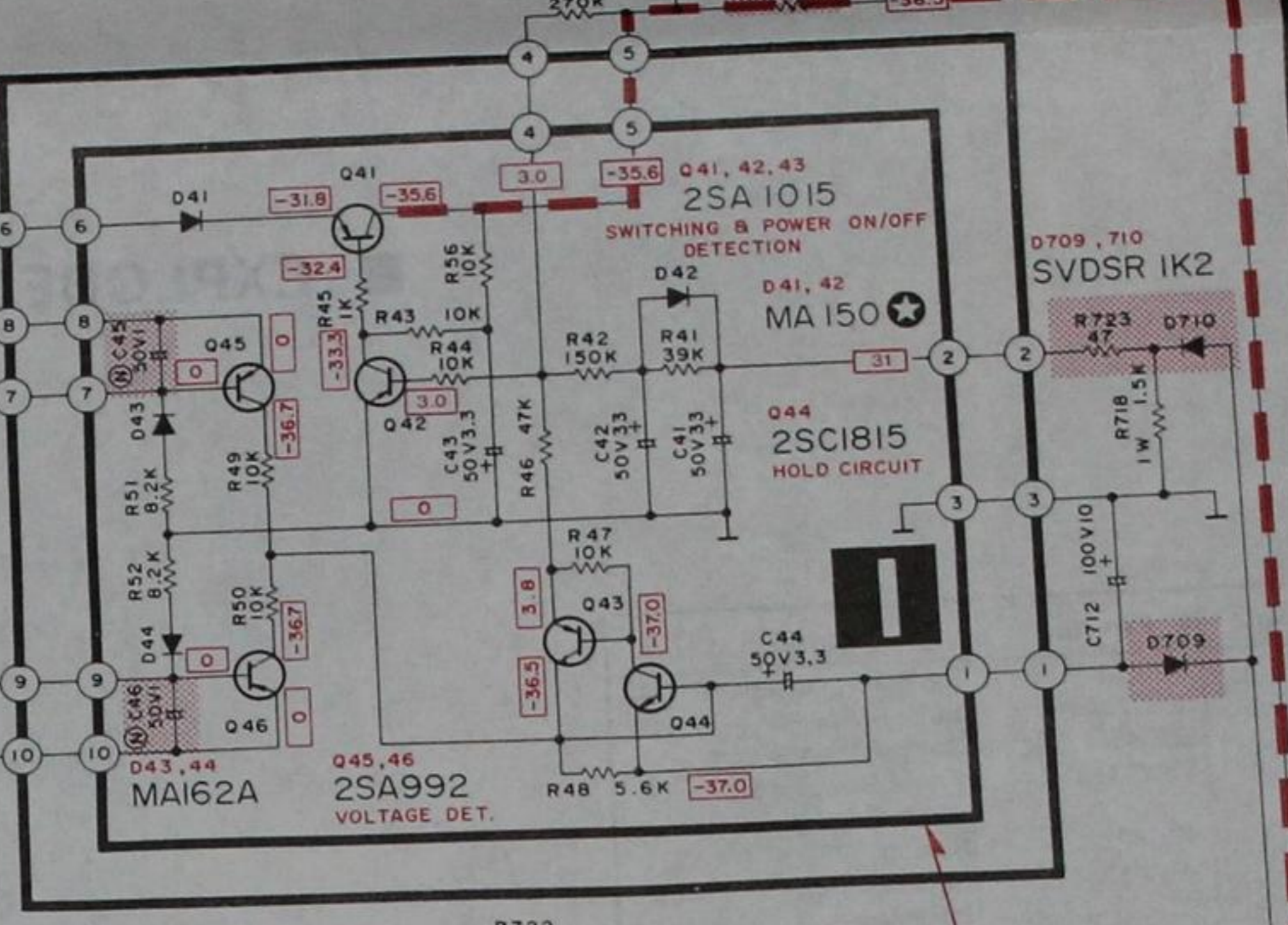
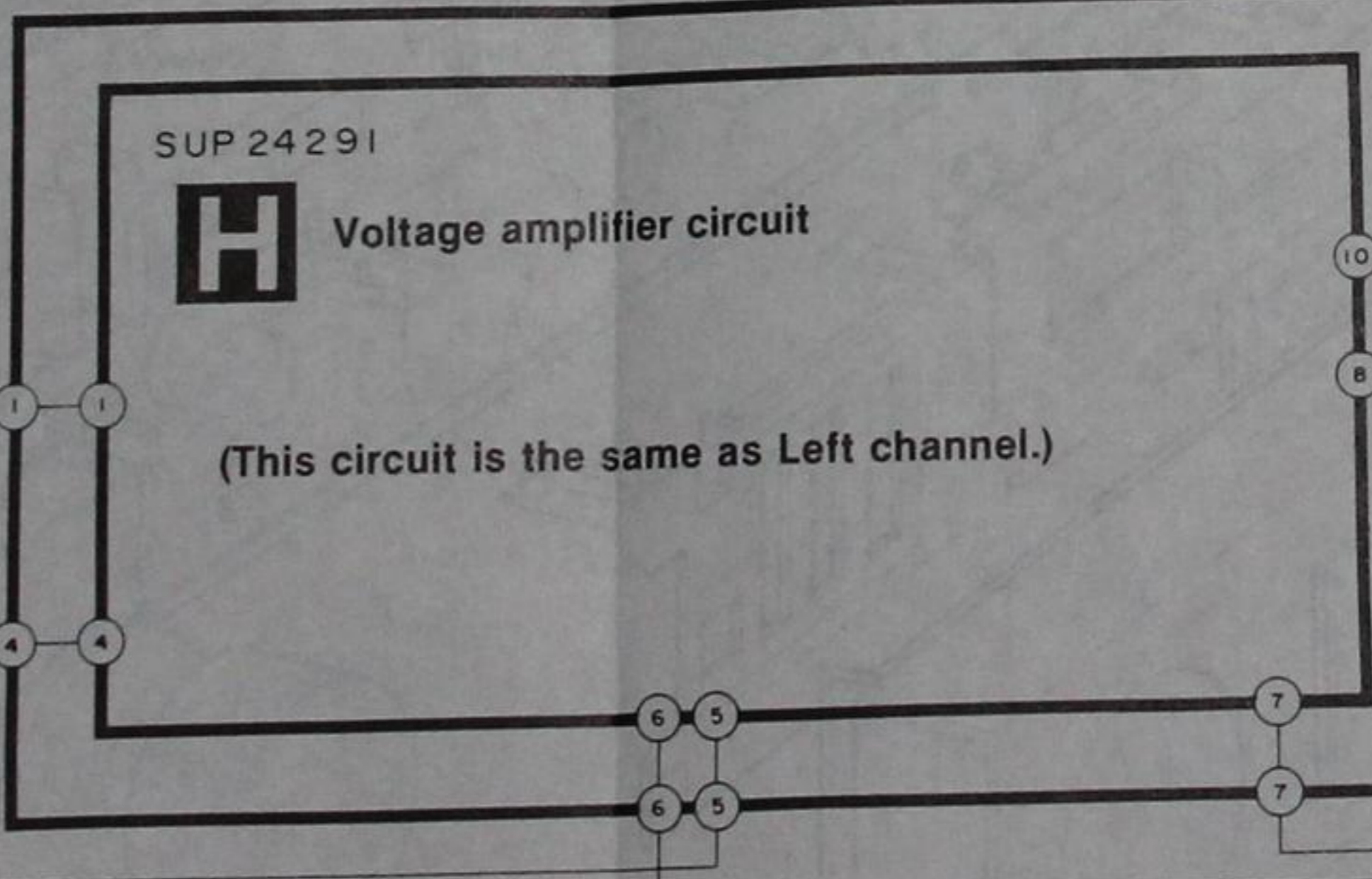
Ico adj. (Rch)

Treble control (Rch)

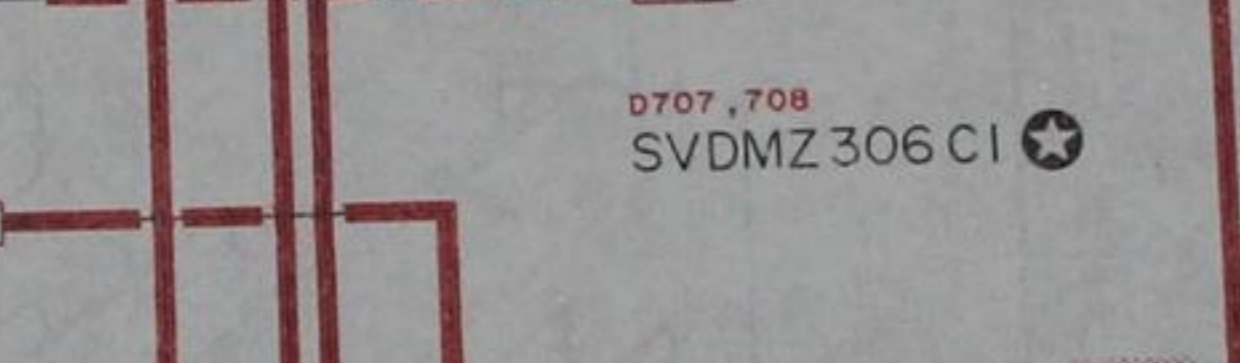
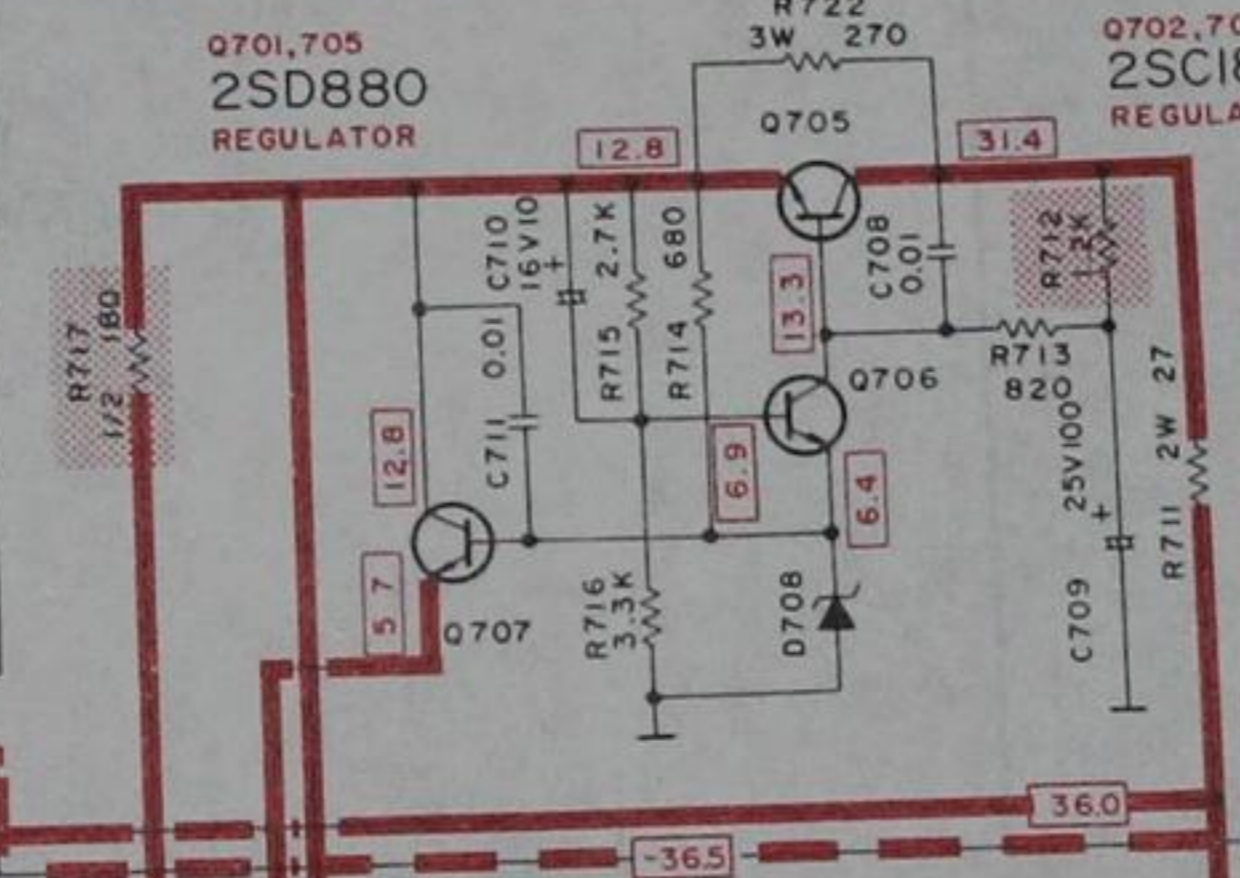
Bass control (Rch)

H Voltage amplifier circuit

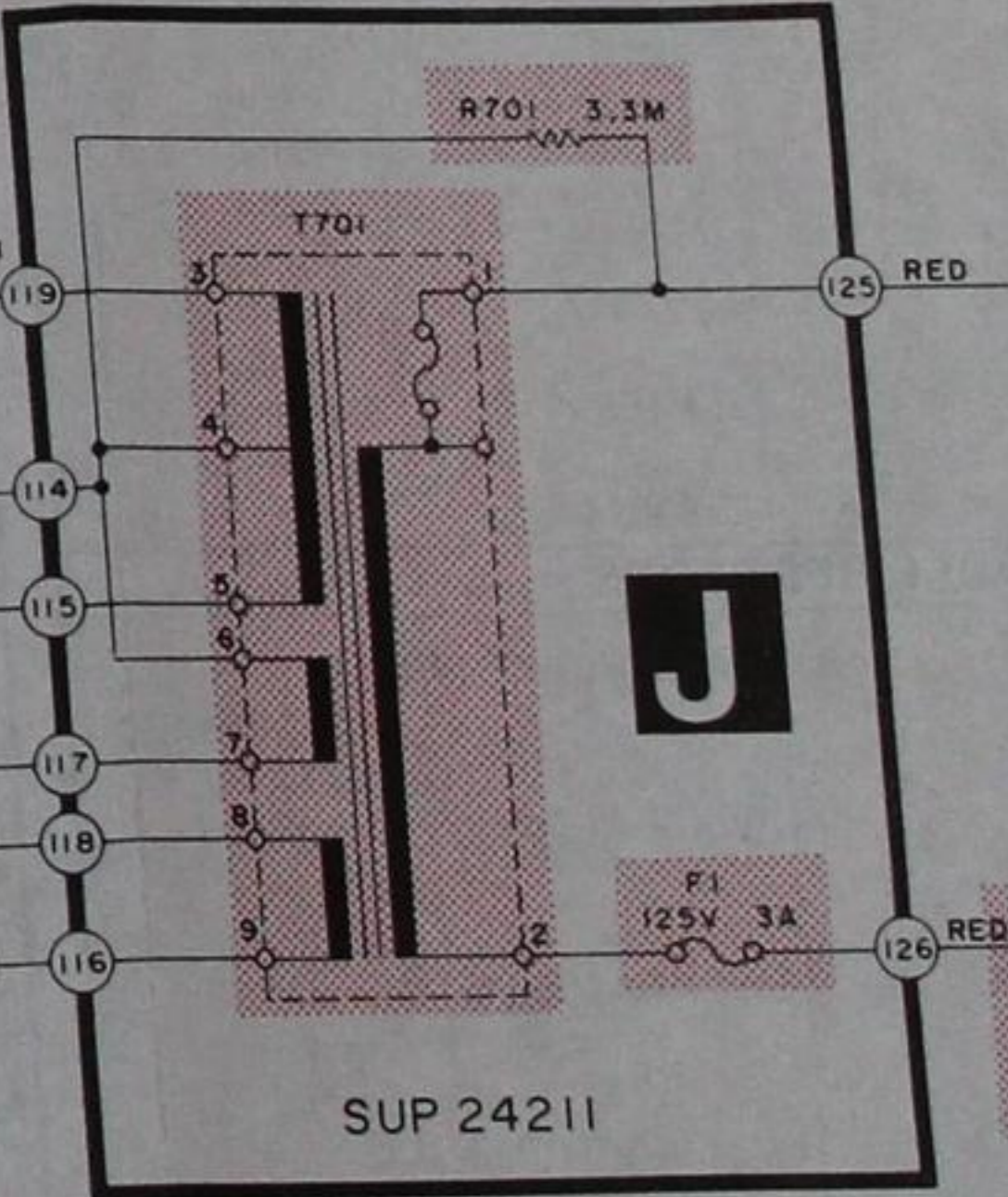
(This circuit is the same as Left channel.)



Power mute & protection circuit



Power transformer



SPEAKERS
REMOTE